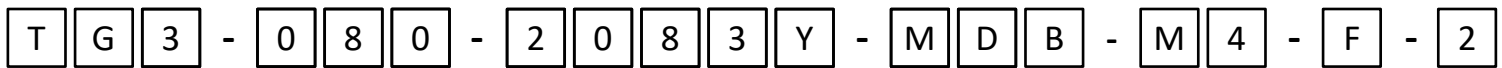




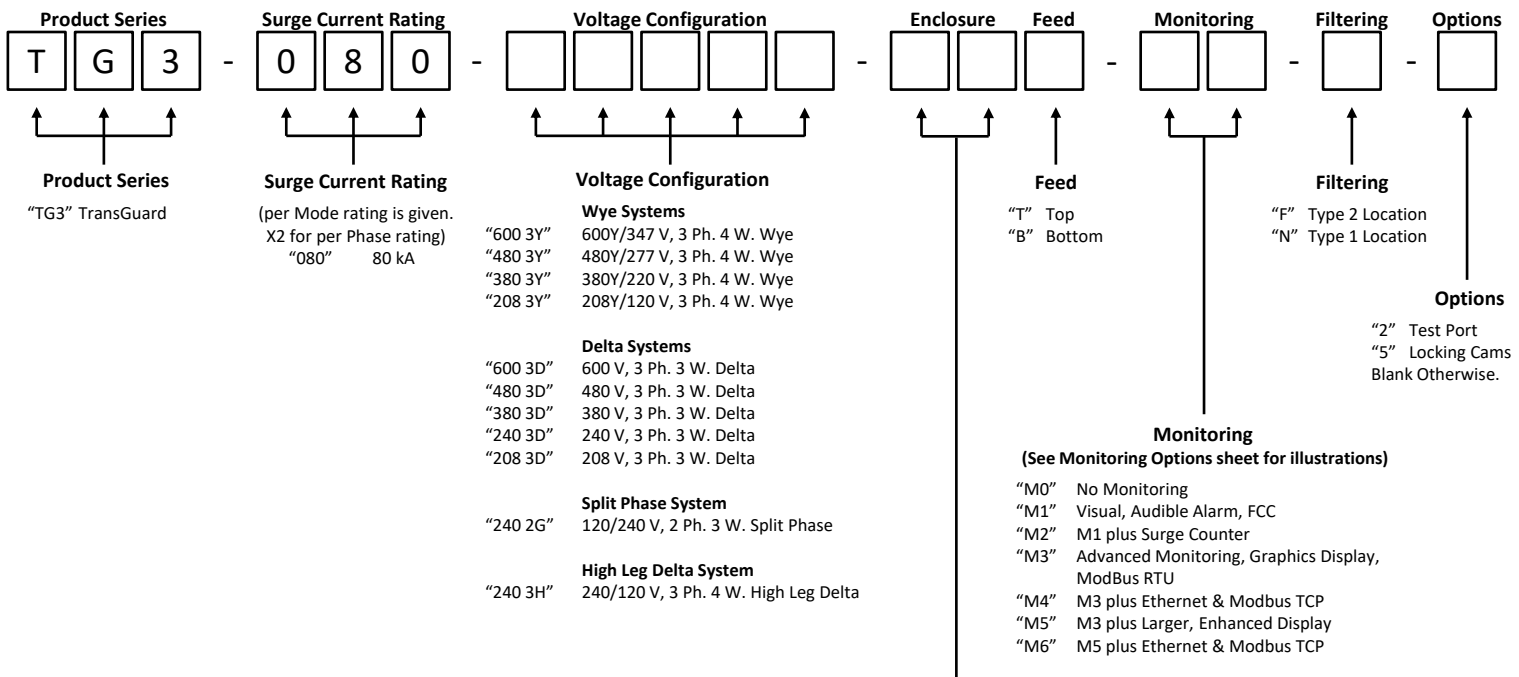
## SPD with Thermally Protected MOVs for Switchboards & Panelboards

## Product Number Configuration Guide

Product Number Example:



Application Specific Model Number:



Dimensions	(Standard Enclosures: NEMA 4/12)
TG3-080:	<b>Metal Enclosure</b> 16" h x 16" w x 9.20" d 41 lbs.
TG3-080:	<b>Plastic Enclosure</b> 14.00" h x 12.75" w x 6.7" d 18 lbs.